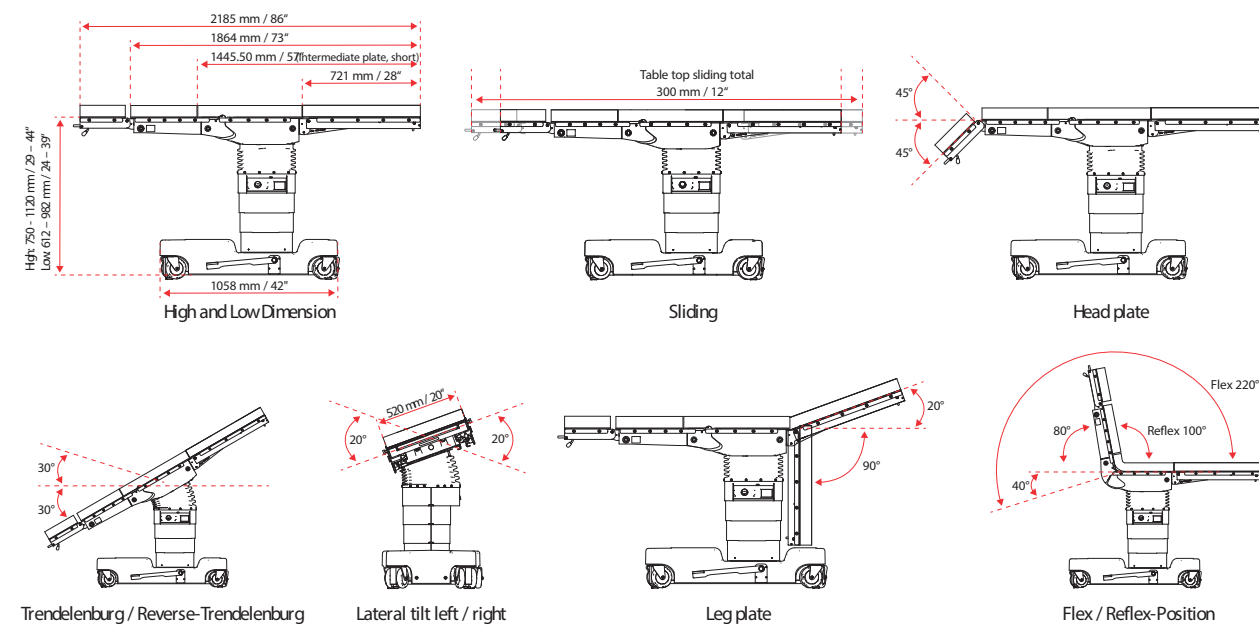
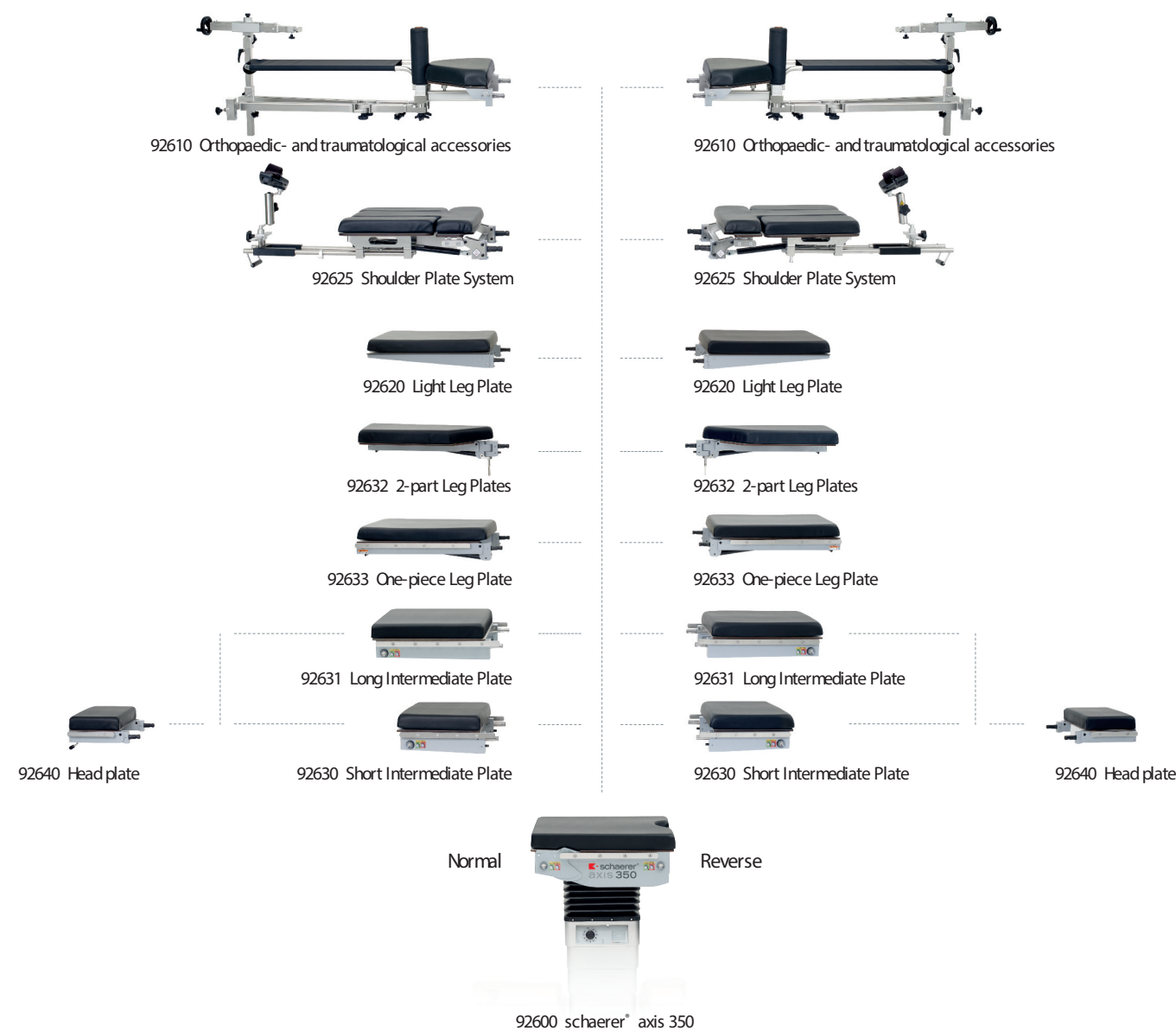


Table top attachments

Modularity at your convenience

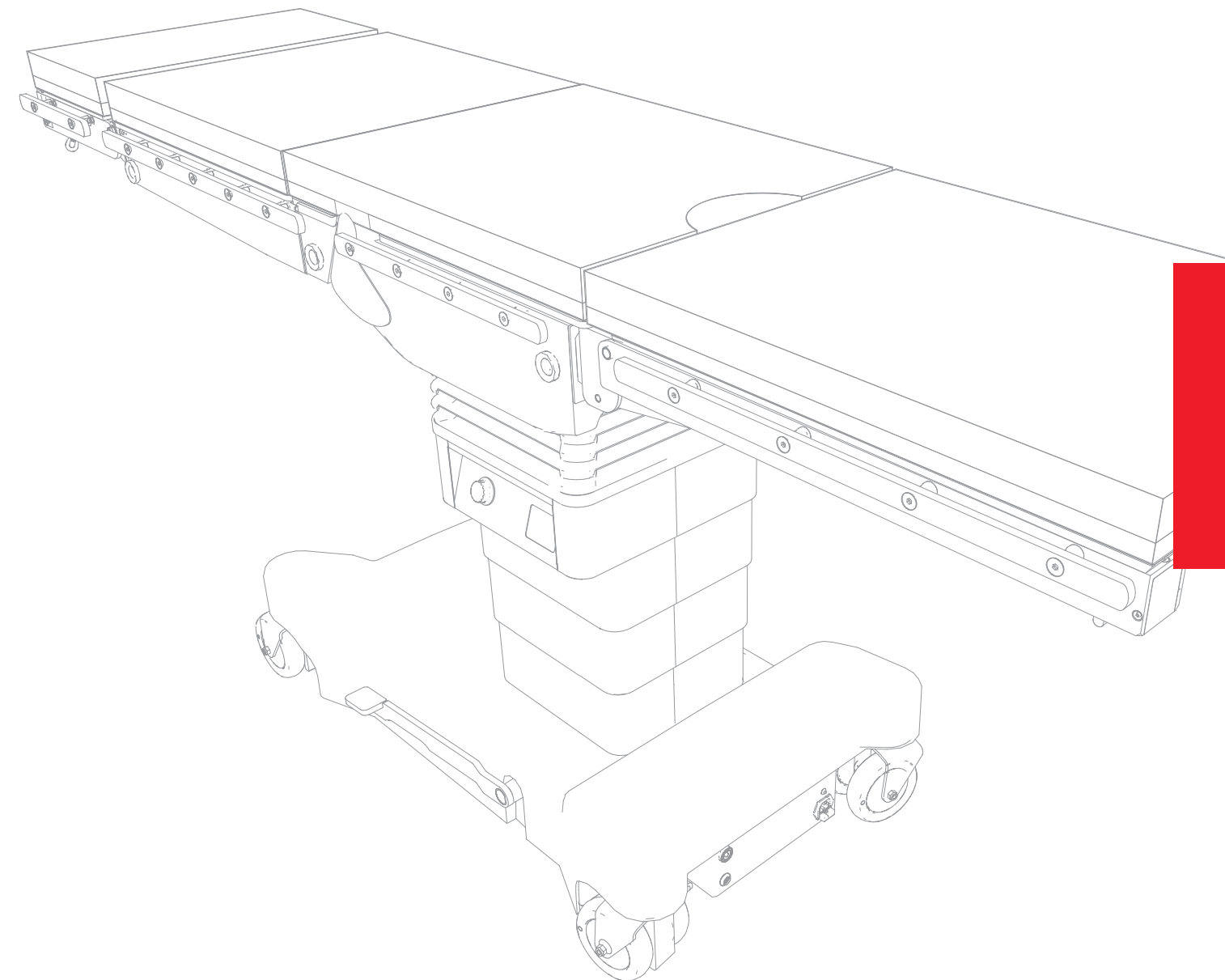


schaerer® axis

350



MOBILE VERSATILITY



Technical data

Technical data	
Electrical main connection:	100 - 130 / 200-240 V AC, 50 - 60 Hz
Control voltage:	24 V DC
Battery charging time:	8 - 10 hours
Battery capacity:	22 Ah

Movements	Electro hydraulic	Manual
Height adjustment up / down	■	
Trendelenburg / Reverse	■	
Lateral tilt left / right	■	
Short plate up / down	■	
Head plate up / down	■*	■
Flex / Reflex	■	
Zero position	■	
Intermediate plate up / down	■*	
Leg plate up / down	■*	■
Leg plates swivelling out 90°		■

*(connected to the short plate)

Exclusive Distributor:

WellnessPRO
tomorrow's medical devices

Unit 1006 Richmond Plaza, San Miguel Avenue
cor. Lourdes Street, Ortigas, Pasig City 1605 Philippines

+63 2 6363580 • +63 2 6370930 • +63 2 6331931

• +63 2 6337867 • +63 2 4772650

+63 2 6367542

+63 9228232282 • +63 9209477185 • +63 9178513906

info@wellnessproinc.com

www.wellnessproinc.com

Exclusive Distributor:

WellnessPRO
tomorrow's medical devices

Exclusive Distributor:

WellnessPRO
tomorrow's medical devices

Introduction

The new schaeerer® axis 350 is combining Swiss precision with longevity which leads to cost efficiency. Through its unique design, the operating table offers high versatility of all surgical applications.



CHARACTERISTICS

Benefits at a glance

- For every patient
- Maximum patient weight (static): 450 kg
- Maximum patient weight (dynamic): 220 kg
- Sliding to the max 300 mm table top sliding



Make it your size
 schaeerer® axis 350 High:
 750 – 1120 mm column range
 (without pad)
 schaeerer® axis 350 Low:
 612 – 982 mm column range
 (without pad)

- Always safe
 - Foot pump
 - Electro hydraulic manual override
- The right direction
 - Easy mobility with drive unit (optional configuration)
 - 5th wheel cornering (optional configuration)

Free to control

The intuitive hand control with colored touch screen is available in two versions:

- 92522 Hand Control, wired (standard)
- 92523 Hand Control, wireless (optional, Bluetooth adapter)



The colored touch display and backlit guided interface enables safe table manipulation:

- Intuitive interface design

The following features help to save time and ensures safe handling:

- Individually programmable memory function to store frequently used patient position
- Interchangeable among the schaeerer® axis 350 tables

Positions

Through the mobile versatility concept, various accessories and the high patient weight capacity, the schaeerer® axis 350 can be used in all surgical disciplines - even for bariatric interventions.



For Nephrectomy and Postero-lateral Spinal Procedures

For Gynaecology / Urology Procedures

For Rectal Procedures



For Spinal Procedures

Bariatric Procedures

Technical Specifications schaeerer® axis 350

Type	Value	Unit
Length with Head Rest, Long Intermediate Plate and Leg Plates	2185 / 86	mm / inch
Length of table top (Seat Plate and Short Plate)	630 / 24.8	mm / inch
Width of table top (without side rails)	520 / 20.5	mm / inch
Width of table top (with side rails)	580 / 22.8	mm / inch
Length table pad (without dedicated accessories)	625 / 24.6	mm / inch
Width table pad (without dedicated accessories)	520 / 20.5	mm / inch
Column moving range (high & low)	370 / 14.6	mm / inch
Table top slide	300 / 11.8	mm / inch
Column Range axis 350 High (lowest & highest position, without pad)	750 – 1120 / 29.5 – 44.1	mm / inch
Column Range axis 350 Low (lowest & highest position, without pad)	612 – 982 / 24.1 – 38.7	mm / inch
X-ray window A-Position	1285 x 348 / 50.6 x 13.7	mm / inch
X-ray window B-Position	1135 x 348 / 44.7 x 13.7	mm / inch
Side rail dimension	25 x 10 / 1 x 0.4	mm / inch
Slide rail dimension (US)	1.125 x 0.375	inch
Table weight without dedicated accessories	255 / 562	kg / lbs
Static workload	450 / 1000	kg / lbs
Dynamic workload	220 / 500	kg / lbs
Wheels diameter	125 / 4.9	mm / inch
Short plate up / down	80 / 40	degree
Trendelenburg / Reversed Trendelenburg	30	degree
Lateral tilting left / right	20	degree

Dimensions Dedicated Accessories

Type	Movements	Value	Unit
Head Rest up / down	Manual	45	degree
Leg Plate up (One-piece & 2-part Leg Plates)	Manual	20	degree
Leg Plate down (One-piece & 2-part Leg Plates)	Manual	90	degree

Type	Unit
Height pads	69 / 2.7 mm / inch

Type	Length	Value	Unit
Dimensions Head Rest pad	270 / 10.6	520 / 20.5	mm / inch
Dimensions Long Intermediate Plate pad	545 / 21.5	520 / 20.5	mm / inch
Dimensions Short Intermediate Plate pad	395 / 15.6	520 / 20.5	mm / inch
Dimensions One-piece Leg Plate pad	697 / 27.4	520 / 20.5	mm / inch
Dimensions 2-part Leg Plate pads	697 / 27.4	255 / 10	mm / inch
Dimensions Seat & Short Plate pads	625 / 24.6	520 / 20.5	mm / inch